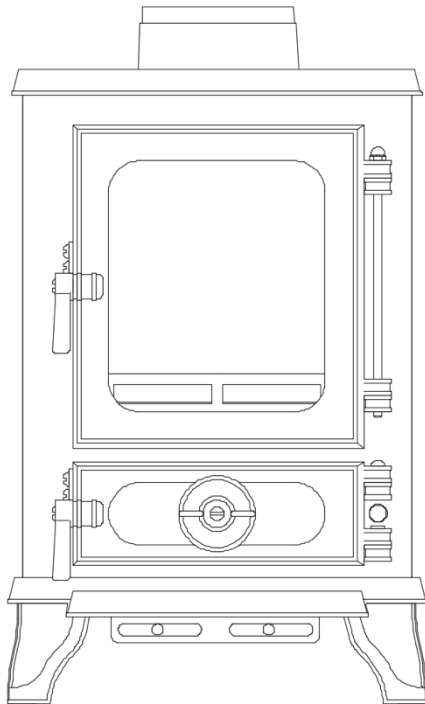


Installation and Operating Instructions



Salamander SE Eco Stove
Model 1901 SE Eco

Installation and Operating Instructions for The Salamander SE Eco Model 1901 SE Eco (Ref 1901 SE Eco Dec 2019)

Section	Contents
1	Important Information - Installing and Using The Stove
2	Unpacking
3	Assembly
4	Components
5	Installation
6	Operating Instructions 6.1 Fuel 6.2 Before lighting 6.3 Air controls 6.4 Lighting a wood fire 6.5 Lighting a solid fuel fire 6.6 De-ashing the stove
7	Guidance on Safe Operation
8	Health and Safety Precautions
9	Maintenance
10	Troubleshooting
11	Spare Parts
12	Salamander Eco Performance Results
13	CE Plate 13.1 More information and statistics
14	Disposal / Recycling

Thank you for your purchase. You are now the proud owner of a Salamander SE Eco Stove! All of our stoves are hand-finished at our workshop in the beautiful Devon countryside. We are confident that if the appliance is installed, maintained, and cared for correctly, then your Salamander SE Eco Stove will provide you with many years of warmth and enjoyment.

PLEASE READ THESE INSTRUCTIONS CAREFULLY

For your safety, it is very important that your stove is installed and used correctly. Take care when assembling and moving the stove. It is made of cast iron and is very heavy (47kg).

1 - Important Information - Installing and Using The Stove

- When installing the stove, you must comply with all local and national regulations, including those referring to national and European standards.
- The stove must be installed by a registered installer, or the installation must be approved by your local building control officer.
- The stove must only be used for domestic heating purposes.
- Please make sure that you only burn approved fuels (wood or eco logs with a moisture content below 20%, coal, or smokeless fuel). Do not use pellets or petroleum-based products, and do not use the stove as an incinerator for other items or general waste.
- The stove will get very hot whilst in operation and due care should be taken. Only use the multi-tool provided to operate the door handles, air controls, riddling control, and the ash pan. Please refer to the health and safety precautions on page 14 for more guidance.
- The stove must not be installed into a chimney that serves any other appliance. The stove is suitable for intermittent burning.
- There must be a suitable air supply into the room where the stove is installed, and care should be taken not to block the air inlets to the stove.
- There must not be an extractor fan in the same room as the stove. This will restrict the draw of the appliance, and may cause fumes to be emitted into the room.
- Do not make unauthorised changes or modifications to the stove. Only use genuine spare parts from Salamander Stoves.
- The stove and chimney flue must be cleaned regularly. It is especially important to check for blockages following a prolonged shutdown period. It is recommended that the stove and flue is regularly maintained by a competent engineer.

2 – Unpacking

PLEASE TAKE CARE

The stove is made of cast iron and is very heavy.

After you have unboxed the stove, carefully open the firebox door and remove the packing. Inside the stove, there will be the following items:

Packing List

- | | |
|----|--|
| 1 | Stove body with grate and grate centre installed |
| 2 | Legs x 4 |
| 3 | Leg bolts with washers x 4 |
| 4 | Left Fire Brick |
| 5 | Right Fire Brick |
| 6 | Baffle Plate |
| 7 | Fire Bars |
| 8 | Ash Pan |
| 9 | Salamander Multi-tool |
| 10 | Mini Dustpan and Brush Set |
| 11 | Stove Collar |

3 – Assembly

- 3.1 The stove is supplied with the flue collar inside the firebox. To fit the collar to the top of the stove, you will need to remove the baffle and the side fire bricks. To do this, use one hand to hold the baffle up before removing the side bricks - **please take care as the baffle is heavy**. With the other hand, lift one of the side bricks up and lever it out from the bottom. Do the same for the other side brick. You will then need to gently lower and rotate the baffle so that it can be removed. Fit the flue collar to the top of the stove, and tighten it in place with the screws provided. The collar can be fitted to the rear of the stove in the same way. Remember to re-insert the baffle and the side fire bricks before using the stove.

WARNING

Take extreme care not to over-tighten the screws for the flue collar. The screws should **ONLY** be finger-tight, else you will risk breaking the lugs.

If the installation requires the flue to exit from the rear of the stove, swap the collar for the blanking plate on the back.

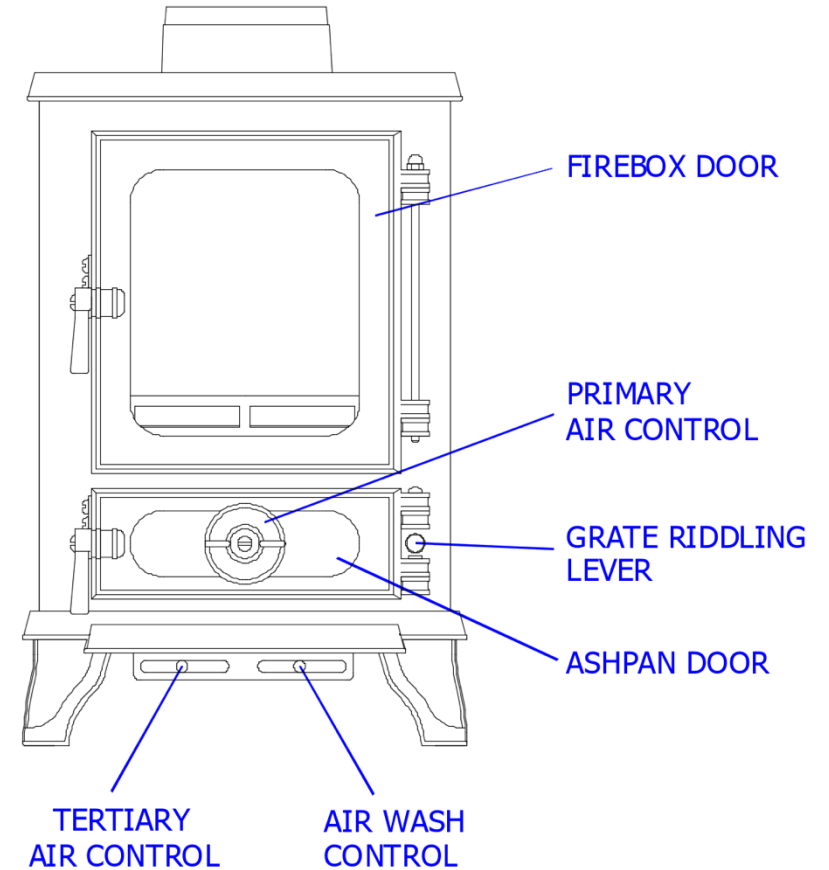
- 3.2 Gently lay the stove on its side. Attach one leg to each corner of the base, using the bolts and washers provided. Next, carefully lift the stove upright to rest on its feet.



- 3.3 Check that the grate and grate centre are located correctly. The grate should sit horizontally inside the stove. Check that the riddling mechanism operates and moves freely.



4 – Components



5 – Installation

PLEASE READ THESE INSTRUCTIONS CAREFULLY

For your safety, it is very important that your stove is installed and used correctly. Salamander Stoves cannot accept responsibility for any fault arising through incorrect installation or use.

5.1 Regulations

When installing the stove, you must comply with all local and national regulations, including those referring to national and European standards.

5.2 Installation

The stove must be installed by a registered installer, or the installation must be approved by your local building control officer.

5.3 Safety Clearances

You must install the stove in accordance with the minimum safety clearances from combustible materials. These are provided below:

Salamander SE Eco	Side	400mm
	Rear	450mm

Salamander SE Eco (Fitted with optional side and rear heat shields)	Side	150mm
	Rear	100mm

If the stove is going to be installed into a non-combustible recess, then we recommend leaving 100mm of clearance at the back and sides of the appliance. This will enable easier access for any maintenance work, and will allow air to circulate around the stove.

5.4 Floor

Local and national building regulations must be complied with when considering the floor, or hearth, where the stove is going to be installed. The floor must be capable of bearing the weight of the stove and the hearth temperature. During testing, this was measured at 66.4 degrees celsius on full fire. The stove will need to be sited on a non-combustible hearth which is at least 12mm thick. You will also need to have at least 225mm of space from the front of the stove to the front of the hearth. This improves your safety if any fuel happens to fall out of the stove when you go to refuel the appliance.

5.5 Access For Cleaning

Although access to the flue can be gained by removing the stove firebox components, consideration must be given to installing extra access in the flue system to ensure all sections can be cleaned and maintained.

6 – Operating Instructions

6.1 Fuel

Wood

Only burn seasoned timber with a moisture content of less than 20%. Typically, this means wood which has been cut and stored in an open, dry shelter for one-to-two years. You can also burn kiln dried wood from a reputable manufacturer.

The maximum log size is 200mm x 100mm x 100mm (8" x 4" x 4")

DO NOT BURN wet or unseasoned wood, construction timber, painted or treated wood, driftwood or manufactured board products. Doing so will result in the wood burning inefficiently, and excess smoke, soot, and tar will be produced. This will coat and damage the internal components of the stove and flue. It could also result in a chimney fire.

Solid fuel

Use only manufactured smokeless fuel listed as suitable for use on closed heating appliances.

The Salamander SE Eco is a multi-fuel stove that can also burn eco logs/compressed sawdust briquettes, but **DO NOT BURN** pellets, bituminous coal, any petroleum products, or liquid fuels.

6.2 Before Lighting

Check that the flue is clear and unobstructed before using the appliance for the first time, or if the stove has not been used for a long period of time.

Check that the riddling control is free to move and is pushed fully in towards the stove.

Check that the ash pan is empty, in position, and the ash pan door is closed.

WARNING

The stove has been coated with a heat resistant paint. During the first few times that the stove is being used, the paint may give off small amounts of smoke and odours whilst it cures. Please ensure that the room is well ventilated. This is completely normal for this type of appliance.

To aid the process and to help prevent damaging the stove's finish, it is best to light a few small fires when the stove is being used for the first time. Start off by burning a couple firelighters, and then a handful of kindling. Let each fire go out and allow the stove to completely cool down before lighting the next fire. Gradually increase the size of each fire and avoid firing the appliance vigorously, as this can cause the paint to develop a cracked and/or bubbled finish.

Salamander Stoves takes no responsibility for stoves which have been incorrectly cured.

6.3 Air Controls

The Salamander SE Eco stove is fitted with three air controls.

Primary Air Control

Located on the front of the ash pan door, the primary air control directs air into the base of the fire. It is only required when burning solid fuel.

When burning wood, the control must be kept fully closed (rotate clockwise).

Failure to do so will reduce the efficiency of the stove, and will increase the amount of smoke and carbon monoxide that will be released into the atmosphere.

Air Wash Control

Located below the ash pan door on the right-hand side, the air wash control directs air down the glass window and onto the fire that will be burning on the grate.

Lever to the left – minimum air wash

Lever to the right – maximum air wash

When burning wood, the control is used to regulate the burn-rate of the fuel on the grate.

When burning solid fuel, the control should be slightly open to ensure that the glass is kept clear.

Tertiary Air Control

Located below the ash pan door on the left-hand side, the tertiary air control directs air into the space above the fire.

Lever to the left – minimum tertiary air

Lever to the right – maximum tertiary air

When burning wood, the control is used to regulate the secondary burn of the gasses above the fire.

When burning solid fuel, tertiary air is not required and the control should be set to the minimum (lever to the left). Failure to do so will reduce the efficiency of the stove, and will increase the amount of smoke and carbon monoxide that will be released into the atmosphere.

6.4 Lighting A Wood Fire

- When burning wood:

Ensure that the primary air control is fully closed (turn the airflow wheel on the ash pan door fully clockwise)

Make sure that the air wash control is set to the open position (right-hand control below the ash pan door)

Have the tertiary air control halfway open (left-hand control below the ash pan door - central position)

- Place 1 or 2 firelighters onto the fire grate, with a handful of kindling. Light the fire with a taper.
- When the firelighters are burning, leave the door ajar about 1 to 2 cm to achieve a good draw and to avoid condensation. Allow the burning kindling to warm up the chimney.
- After 2 to 5 minutes, the chimney should be warm enough to create a good draw, and the door can be closed.
- Once the kindling has formed a good bed of glowing embers, the stove can be refuelled with 2 or 3 pieces of wood. Do not be tempted to overfill the firebox and risk fuel falling onto the glass, or out of the firebox when the door is opened. Overfilling the stove can also lead to excess smoke.

You can now close the top door. Once the new fuel is fully burning, the air wash and tertiary air controls can be adjusted to obtain the desired burn rate.

When opening the top door of the stove, always open it gently for the first 2 to 3 cm to allow the pressure to equalise and to stop any smoke from escaping.

The stove should not be operated with either door left open for long periods of time, as excess smoke may be generated.

The stove doors should never be left open when the stove is in use.

Under normal chimney draught conditions, you can expect to refuel the stove every 45 to 60 minutes.

Operating the stove with the air controls open can cause excess smoke. The stove must not be operated with the air controls or the doors left open, except as directed in these instructions.

Refuelling

If there is insufficient fuel burning in the fire bed to light a new piece of fuel, then excessive smoke can occur. New fuel must be placed onto a sufficient bed of glowing embers and/or flames to ensure that the new piece of fuel catches alight and burns steadily. If there are too few embers in the fire bed, add suitable kindling to prevent excessive smoke.

Remember:

Smouldering wood which is producing smoke without a flame will be burning very inefficiently. This will produce unburnt gases and soot, which will be deposited inside the stove, the flue system, and on the glass window.

Wood burns best on a bed of ash, approximately 1cm deep.

We do not recommend shutting the stove down and leaving the stove lit overnight. Burning your fuel too slowly is very inefficient, and this will create unburnt gases and deposits in the stove and flue system.

After refuelling the fire, increase the amount of air intake to light the wood as quickly as possible. Once lit, you can then reduce the airflow again.

It will take time to become familiar with how the stove works, and the best way to operate the appliance under different conditions. How the wood burns, and therefore how you should use the stove, will vary depending on:

- The type of wood that you use.
- The condition of the wood.
- The chimney draught/the draw of your chimney/flue system.
- The weather, wind and outside temperature.

Burning the stove vigorously for a short period of time will remove any build up of unwanted deposits on the inside of the stove and on the glass window.

6.5 Lighting A Solid Fuel Fire

- When burning manufactured smokeless solid fuel:

Ensure that the primary air control is in the open position (turn the airflow wheel on the ash pan door fully anticlockwise).

Make sure that the air wash control is halfway open (right-hand control below the ash pan door - central position)

Have the tertiary air control fully closed (left-hand control below the ash pan door, fully to the left)

- Place 1 or 2 firelighters onto the fire grate, with a handful of manufactured solid fuel briquettes. Light the fire with a taper.
- When the firelighters are burning, leave the door ajar about 1 to 2 cm to achieve a good draw and to avoid condensation. Allow the fire to warm up the chimney.
- After 2 to 5 minutes, the chimney should be warm enough to create a good draw, and the door can be closed.
- Once the solid fuel is starting to burn, adjust the primary air control to ensure that all of the fuel is lit. Once the fuel has formed a good bed of glowing embers, the stove can be refuelled with more manufactured smokeless solid fuel. Do not be tempted to overfill the firebox and risk fuel falling onto the glass, or out of the firebox when the door is opened. Overfilling the stove can also lead to excess smoke.

You can now close the top door. Once the new fuel is fully burning, the air wash and tertiary air controls can be adjusted to obtain the desired burn rate.

6.6 De-ashing The Stove

Riddling the grate will allow ash to fall from the fire bed and into the ash pan underneath.

To riddle the grate, slot the riddling lever into the forked end of the multi-tool. The riddling lever is located between the hinges of the ash pan door.

Pull and push the lever backwards and forwards. Ash will fall through the grate and into the ash pan.



Remember:

When burning wood, it is good to maintain a bed of ash on the grate. This should be approximately 1cm deep.

Do not be tempted to over riddle the grate, as hot or burning fuel may fall into the ash pan.

Do not let the ash level in the ash pan get higher than the sides of the pan. This will reduce the airflow to the fire through the grate.

To remove the ash pan, use the rounded end of the multi-tool as shown. There is a lip at the bottom of the multi-tool, which slots neatly into a gap at the front of the ash pan. This enables the ash pan to be safely removed for emptying.



WARNING

Take great care when removing and emptying the ash pan. It may be very hot, and it might contain burning or smouldering embers, making it a fire risk.

7 – Guidance On Safe Operation

Fire can be very dangerous

During operation, the stove and all of the fittings (door handles and controls etc.) will get very hot.

Do not over-fire the stove

It is possible to fire the stove to such an extent that excess smoke may be generated, or damage may occur to the appliance or the chimney/flue system. Look out for any parts of the stove or flue that may be glowing red hot. If such a situation occurs, adjust the air supply accordingly to reduce the burn-rate of the fire.

Chimney fire

In the event of a chimney fire:

- Shut all air controls immediately.
- Raise the alarm and evacuate the building.
- Call the fire brigade.
- Do not re-enter the building.

Fumes

If the appliance is installed, operated and maintained correctly, then the stove will not emit fumes into the room. Occasionally, very small amounts of fumes will be emitted into the room when refuelling or de-ashing the stove.

If fumes are being emitted during normal operation:

- Ventilate the room by opening all doors and windows.
- Let the fire burn out.
- Leave the room.
- Check the stove, flue and chimney for blockages.
- Do not use the stove until the cause of the problem has been identified and rectified.
- If required, seek expert help.

Adverse weather conditions

In a small number of installations, and under specific weather conditions, the draw of the chimney may occasionally be affected. A downdraught will cause fumes to be emitted into the room.

If this is the case, then the stove should not be used, and advice should be sought from a professional flue installer who will be able to advise on possible solutions, such as an anti-downdraught cowl.

8 - Health And Safety Precautions

Special care must be taken when installing the stove, such that the requirements of the Health and Safety at Work Act are met.

Handling

Adequate facilities must be available for loading, unloading and site handling of the appliance. The stove is made of cast iron and is very heavy (47kg).

Fire Cement

Some types of fire cement are caustic and should not be allowed to come into contact with the skin. In case of contact, wash immediately with plenty of water.

Asbestos

This stove does not contain any asbestos. If there is a possibility of disturbing any asbestos in the course of installation, then please seek specialist guidance and use appropriate protective equipment.

Aerosols

Aerosols must never be used or stored near the appliance whilst it is alight or still hot.

Ventilation

It is essential that the fire has adequate air supply for combustion and ventilation. Apertures provided for this purpose shall not be restricted.

Metal Parts

When installing or servicing this stove, care should be taken to avoid the possibility of personal injury which could arise when interacting with metal parts.

Children, aged and/or infirm persons

If the stove is going to be in the presence of children, aged, and/or infirm persons, then please ensure that a fireguard is used in accordance with BS 8423:2002. The fireguard should be manufactured in accordance with BS 8423:2002, and it should be suitable for use with solid fuel appliances.

CO Alarms

Building regulations require that whenever a new or replacement fixed solid fuel or wood/biomass appliance is installed in a dwelling, then a carbon monoxide alarm must be fitted in the same room as the appliance. Further guidance on the installation of a carbon monoxide alarm is available in BS EN 50292:2002, and within the alarm manufacturer's instructions.

Provision of an alarm must not be considered a substitute for either installing the appliance correctly, or ensuring regular servicing and maintenance of the appliance and chimney system.

Your installer should have fitted a CO alarm in the same room as the appliance. If the alarm sounds unexpectedly, then follow the instructions given under "Warning Note" on the next page.

Warning Note

If this stove is properly installed, operated and maintained, then the appliance will not emit fumes into the dwelling. Occasional fumes from de-ashing and refuelling may occur. However, persistent fume emission is potentially dangerous and must not be tolerated. If fume emission does persist, then the following immediate action should be taken:

- (a) Open doors and windows to ventilate the room and then leave the premises.
- (b) Let the fire go out.
- (c) Check for flue or chimney blockage and clean if required.
- (d) Do not attempt to relight the fire until the cause of the fume emission has been identified and corrected. If necessary seek expert advice.

The most common cause of fume emission is flueway or chimney blockage. For your own safety these must be kept clean at all times.

For The Attention Of The Installer

When it comes to the installation of this appliance, please refer to the current issue of British Standard BS 8303 Code of Practice. This details the installation of domestic heating and cooking appliances burning solid mineral fuel.

Please also refer to the current issues of British Standards BS EN 15287-1:2007, which covers the design, installation, and commissioning of chimneys.

You must ensure that you also abide by any building regulations (such as Approved Document J of The Building Regulations), any local authority byelaws, as well as any other specifications/regulations that may affect the installation of this appliance.

The chimney must be swept and examined for soundness and suitability before the appliance is installed. Remedial action should be taken if required, and you should seek expert advice if necessary.

If your chimney is believed to have previously served an open fire installation, it is possible that the higher flue gas temperature from a closed appliance may loosen deposits that were previously firmly adhered, with the consequent risk of flue blockage. It is therefore recommended that the chimney be swept a second time within a month of regular use after installation.

You must ensure that all parts are fitted in accordance with this set of instructions, and the flue pipe diameter must be no less than the diameter of the outlet of the appliance.

Upon completion of the installation and commissioning:

- Please allow a suitable period of time for any fire cement and mortar to fully dry out before lighting the stove.
- Once the stove has been fired, make sure to check all seals for soundness, and check that the appliance and the flue are functioning correctly.
- Ensure that all products of combustion are vented safely into the atmosphere via the chimney terminal.
- Please ensure that the operating instructions for the stove are left with the customer.
- Please advise the customer on the correct use of the appliance, and warn them to use only the recommended fuels for the stove.
- Advise the user what to do should smoke or fumes be emitted from the stove.

9 - Maintenance

Maintenance should only be carried out when the stove is cool.

Before use

Between each fire in the stove, it is good practice to keep ash and debris to a minimum. It is particularly beneficial to keep the ash pan and the ash pan section free of debris. If you are only burning wood, then it is recommended that you keep a bed of ash on the grate, which should be approximately 1cm deep.

Cleaning the stove

The outside of the stove should be cleaned with a soft brush. You should regularly remove and clean the baffle, the rear fire brick, and the side fire bricks to remove any soot and debris. The internal surfaces of the stove should also be kept clean. The frequency of cleaning will depend on how vigorously the stove has been fired, and what fuel has been used. Any deposits that have been allowed to build up in this area could reduce the lifespan of the stove.

Please note: If required, the flue can be accessed for cleaning from inside the stove. The internal components such as the fire bricks and the baffle will need to be removed before you can access the flue for cleaning.

Gaskets

The rope gaskets in both doors will need regular inspection to check their condition. This is to ensure that both door seals, and full control of the air supply to the fire, are well-maintained.

Stove glass

Only clean the stove glass when the appliance is cool. The best way to clean the glass is to wet a tissue, or some newspaper, before dipping it into the ashes of the fire when they have completely cooled down. Using this to scrub the glass will remove any build-ups on the window, but be careful not to scratch the glass. The window can also be cleaned with a specialist glass cleaner.

Please note: Using any abrasive cleaner will scratch the glass and make subsequent cleaning more difficult.

Chimney

It is important to have the chimney cleaned at least once a year. Regular inspection and cleaning of the internal components of the stove can indicate if the chimney requires cleaning more frequently. If the stove has not been used for an extended period of time (e.g. during the summer), the chimney should be checked by a competent person before use.

Please note: All parts that come into direct contact with the fire (grate, baffle, back and side fire bricks, and underside top air box) are considered consumable parts which are subject to general wear. Their lifespan will be dependant on how vigorously the stove is operated, and they must be inspected and maintained on a regular basis. If the parts become worn, damaged or positioned incorrectly, non-consumable parts such as the stove top and sides, will be exposed to excessive heat and may be damaged.

Remember:

If the stove is not going to be used for an extended period of time, set both air controls to halfway open. This will allow air to flow through the stove and will help prevent condensation.

10 – Troubleshooting

Problem	Cause	Solution
Fire will not burn	<ul style="list-style-type: none"> The fuel is too wet and not suitable. Air inlets to the stove are blocked. The flue is blocked or restricted. Inadequate air supply into the room. 	<ul style="list-style-type: none"> Only burn dry fuel with a moisture content below 20%. Ensure there is an adequate supply of air being directed into the firebox of the stove - open the primary, secondary and/or tertiary air controls accordingly. Check the flue for blockages and organise for the flue to be swept if necessary. Ensure there is a good supply of air into the room and the stove. Install one or more vents or consider a direct air intake system for the appliance.
Soot has built up on the glass	<ul style="list-style-type: none"> Fuel is too wet. Fuel pieces are too large and "smouldering" rather than burning. The stove operating temperature is too low. The stove is being run too "slow" with not enough air. Poor chimney draw. Too little secondary air washing over the window. 	<ul style="list-style-type: none"> Only burn dry fuel with a moisture content below 20%. Carefully break the fuel up into smaller sizes with your hands or an axe. Start by lighting a small fire, allowing kindling to burn steadily to warm up the flue and to achieve a good draw before placing larger pieces of fuel on the fire. If there is not enough air going into the stove, then adjust the controls accordingly. If the stove is burning too vigorously, then close the primary air intake and ensure that the secondary air control is set to the open position. This will activate the air wash system, which will help clean the glass.
Excessive wear on internal parts	<ul style="list-style-type: none"> Stove fired too vigorously. Too little air passing through the bottom grate. Use of wood that is too dry (e.g. wood from old furniture). 	<ul style="list-style-type: none"> Replace any worn or damaged components accordingly with genuine spare parts from Salamander Stoves. Adjust the primary air controls to allow sufficient airflow through the bottom grate. Only burn wooden logs that have been suitably dried. Only burn approved fuel as specified in this instruction manual.

11 – Spare Parts

A full range of products are available to maintain your stove, including:

- Fire rope
- Fire rope adhesive
- Fire cement
- Heatproof silicone sealant
- Stove paint

All individual components of the Salamander Eco Stove are available as spares.

For a complete list of the available spare parts and their prices, please visit our website at www.salamanderstoves.com or scan the QR code on the back cover of this manual.

12 - Salamander SE Eco Stove Performance Results

Wood Logs Results, 0.80 hour refuels


Parameter		A19/135-1	A19/135-2	A19/135-3	Mean
Test duration	h	0.75	0.78	0.75	0.76
Total efficiency	%	80.1	79.0	79.2	79.4
Nominal heat output	kW	4.2	4.0	4.2	4.1
Mean CO emission (at 13% O ₂)	%	0.11	0.08	0.08	0.09
Mean flue gas temperature	°C	277	269	276	274
Flue gas mass flow	g/s	3.5	3.8	3.8	3.7
Mean C _n H _m emission (@13% O ₂)	Nmg/m ³	114	107	94	105
Mean NO _x emission (@13% O ₂)	Nmg/m ³	103	88	87	93
DIN Plus particulates (@13% O ₂)	Nmg/m ³	28	22	20	23

Maxibrite Solid Fuel Results, 1.00 hour refuels

Parameter		A19/265-1	A19/265-2	Mean
Test duration	h	1.05	1.05	1.05
Total efficiency	%	79.9	82.8	81.4
Nominal heat output	kW	3.9	4.2	4.1
Mean CO emission (at 13 % O ₂)	%	0.09	0.09	0.09
Mean flue gas temperature	°C	257	223	240
Flue gas mass flow	g/s	3.0	3.1	3.1
Mean C _n H _m emission (@13% O ₂)	Nmg/m ³	26	58	42
Mean NO _x emission (@13% O ₂)	Nmg/m ³	75	64	70
DIN Plus particulates (@13% O ₂)	Nmg/m ³	29	17	24

All efficiencies in are Net values

13 - CE Plate



EN 13240:2001 / A2:2004
Roomheater fired by solid fuel

Salamander Model 1901 SE eco
Ecodesign Multifuel Stove

Exempt under the clean air act 1993 for use within UK smoke control areas

Fuel types	Wood, Manufactured Smokeless Fuel
Nominal Heat Output	
Wood	4.1 kW
Manufactured Smokeless Fuel	4.1 kW
Total net energy efficiency	
Wood	79.4 %
Manufactured Smokeless Fuel	81.4 %
Distance to adjacent combustible materials (Without heat shields)	
Side	400 mm
Rear	450 mm
Distance to adjacent combustible materials (With heat shields)	
Side	150 mm
Rear	100 mm
Emission of CO in combustion products	
Wood	0.09 %
Manufactured Smokeless Fuel	0.09 %
Flue gas temperature	
Wood	274 °C
Manufactured Smokeless Fuel	240 °C

The appliance is capable of intermittent operation
The appliance cannot be used in a shared flue
Follow the users manual and only use recommended fuel

Salamander stoves Ltd
Rosemount, Canada Hill
Ogwell, Devon, TQ12 6AF

13.1 More Information and Statistics

Energy efficiency class: A
Energy efficiency index (%): 105
Seasonal efficiency (%): 69.4

Flue diameter: The Salamander Eco Stove and the Salamander SE Eco have a 100mm/4" size flue outlet. You can connect the outlet to single wall flue with a 100mm/4" internal diameter, or you could connect into an adaptor to convert into a wider single wall or twin wall insulated flue pipe.

You must ensure that the flue pipe diameter is no less than the diameter of the outlet of the appliance.

Please note that the Salamander SE Eco can run off a chimney liner with a 5" or a 6" internal diameter, but the Salamander Eco Stove is only compatible with a chimney liner that has a 6" internal diameter.

14 - Disposal / Recycling

After the product life of the appliance has expired, please ensure that the items are disposed of correctly. Parts will need to be separated out into material groups before disposal. Each Salamander SE Eco Stove is made up of the following materials: glass, fibre glass, cast iron, stainless steel, steel, brass and aluminium.

Make sure you use suitable gloves when handling any sharp metal, glass, or fibre glass. Seek assistance or a professional disposal service if the item is too heavy for you to handle.

Always dispose of these items in the most sustainable way that is possible, and in a way which is in line with current environmental protection/regulations and any recycling, reprocessing or disposal technologies.

The wooden box that the appliance is packaged in can be re-used a planter for vegetables or flowers. You could also use it as a storage box, or a bookshelf.

Scan The QR Codes Below For More Information

Warranty Registration



Eco Design



Stove Accessories



Spares and Maintenance

